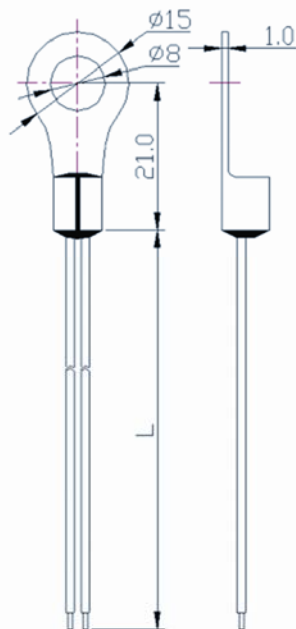




锂电池温度传感器（一）

Lithium battery temperature sensor (一)



产品系列 Series

CWF 4

产品描述 Description

应用描述：适用于锂电池温控模块

Application: apply to Temperature control module of lithium battery

装配方式：螺栓连接

Assembly: fixed by thread

性能参数 Techno-parameter

25℃零功率阻值精度：±1%

Zero power resistance tolerance at 25℃: ±1%

B值精度：±1%

B-value tolerance: ±1%

端头材质：黄铜镀镍

Head material: Nickel plated brass

线材规格：PVC、XLPE

Wire material: PVC, XLPE

产品耐压：≥1500V/AC

Withstand voltage: ≥1500V/AC

使用温度：-40 ~ +125℃/+150℃

Operating temperature: -40 ~ +125℃/+150℃

产品特点 Characteristics

产品防潮、防水性高

Moisture proof, waterproof

装配方式简单、牢固

Easily assemble, stable

阻值、B值可依客户需求制定

Resistance, B-value by user determine

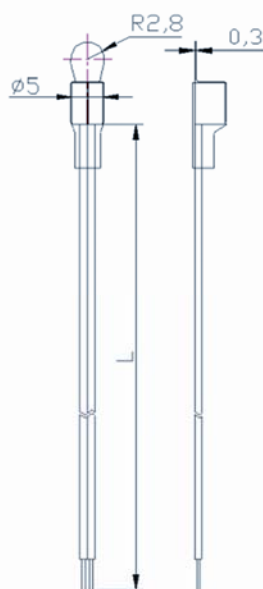
五金件与线材可做定制

Metal part and wire by user determine



锂电池温度传感器（二）

Lithium battery temperature sensor (二)



产品系列 Series

CWF 4

产品描述 Description

应用描述：适用于锂电池温控模块

Application: apply to Temperature control module of lithium battery

装配方式：激光焊接、超声波焊接

Assembly:laser welding, ultrasonic welding

性能参数 Techno-parameter

25℃零功率阻值精度：±1%

Zero Power Resistance tolerance at 25℃: ±1%

B值精度：±1%

B-value tolerance:±1%

端头材质：黄铜镀镍

Head material: Nickel plated brass

线材规格：PVC、FEP

Wire material: PVC,FEP

产品耐压：≥1500V/AC

Withstand voltage: ≥1500V/AC

使用温度：-40~+105℃/ +150℃

Operating temperature: -40℃+125℃/+150℃

产品特点 Characteristics

装配方式简单、牢固

Easy assembly, stable

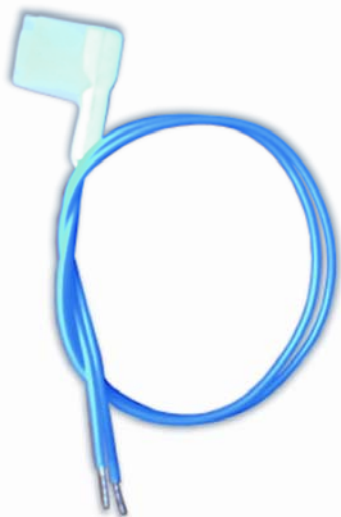
阻值、B值可依客户需求制定

Resistance, B-value by user determine

五金件与线材可做定制

Metal part and wire by user determine

➔ **锂电池温度传感器 (三)**
Lithium battery temperature sensor(三)



产品系列 Series

CWF 5

产品描述 Description

应用描述: 适用于锂电池温控模块
Application: apply to Temperature control module of lithium battery

装配方式: 硅胶卡槽装配
Assembly:silicone slot assemble

性能参数 Techno-parameter

25℃零功率阻值精度: ±1%
Zero Power Resistance tolerance at 25℃: ±1%

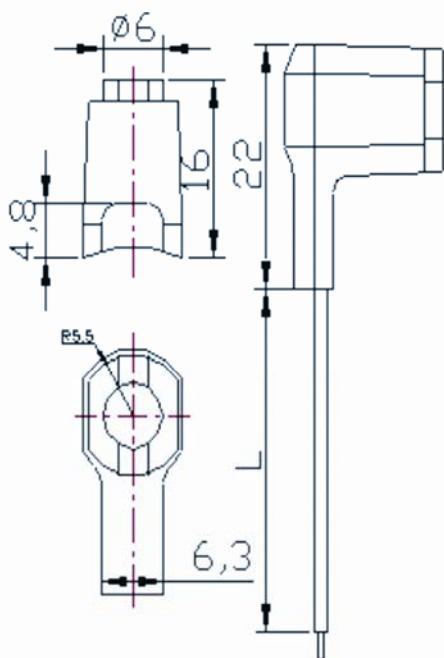
B值精度: ±1%
B-value tolerance:±1%

端头材质: 注塑硅胶
Head material: Injection molding silicone

线材规格: PVC、FEP
Wire material: PVC,FEP

产品耐压: ≥1500V/AC
Withstand voltage: ≥1500V/AC

使用温度: -40 ~ +105℃/ +150℃
Operating temperature: -40~+105℃/+150℃



产品特点 Characteristics

装配方式简单、牢固
Easy assembly, stable

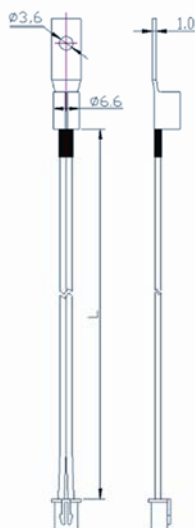
阻值、B值可依客户需求制定
Resistance, B-value by user determine

端头注塑外观与线材可做定制
Metal part and wire by user determine



锂电池温度传感器（四）

Lithium battery temperature sensor(四)



产品系列 Series

CWF 4

产品描述 Description

应用描述：适用于锂电池温控模块
Application: apply to Temperature control module of lithium battery

装配方式：螺栓连接
Assembly: fixed by thread

性能参数 Techno-parameter

25℃零功率阻值精度：±1%
Zero power resistance tolerance at 25℃: ±1%

B值精度：±1%
B-value tolerance: ±1%

端头材质：黄铜镀镍
Head material: Nickel plated brass

线材规格：FEP、PVC
Wire material: FEP, PVC

产品耐压：≥1500V/AC
Withstand voltage: ≥1500V/AC

使用温度：-40 ~ +105℃/ +150℃
Operating temperature: -40 ~ +105℃/ +150℃

产品特点 Characteristics

产品防潮、防水性好
Moisture proof, waterproof

装配方式简单、牢固
Easily assemble, stable

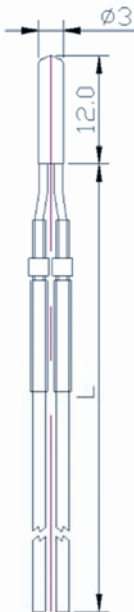
阻值、B值可依客户需求制定
Resistance, B-value by user determine

五金件与线材可做定制
Metal part and wire by user determine



汽车充电桩温度传感器

Auto charging temperature sensor



产品系列 Series

CWF2

产品描述 Description

应用描述：适用于充电桩温控模块

Application: Apply to temperature control module of charging pile

装配方式：插入 Φ 径孔锁定

Assembly: insert Φ hole and lock

性能参数 Techno-parameter

25°C零功率阻值精度：±1%

Zero power resistance tolerance at 25°C: ±1%

B值精度：±1%

B-value tolerance: ±1%

端头材质：不锈钢壳

Head material: stainless cap

线材规格：FEP

Wire material: FEP

产品耐压：≥1500V/AC

Withstand voltage: ≥1500V/AC

使用温度：-40 ~ +200°C

Operating temperature: -40~+200°C

产品特点 Characteristics

温控反应速度快

Fast response time,

防潮、耐高温

Moisture proof, waterproof

装配方式简单

Easily assemble



汽车空调温度传感器（一）

Auto air condition temperature sensor (一)



产品系列 Series

CWF 2

产品描述 Description

应用描述：测量空调温度变化

Application: test temperature variation of air condition

装配方式：Φ 径孔锁定或线束固定

Assembly: Φ diameter hole locking or wire fixing

性能参数 Techno-parameter

25℃零功率阻值精度：±1%

Zero Power Resistance tolerance at 25℃:±1%

B值精度：±1%

B-value tolerance: ±1%

端头材质：塑胶或TPE

head material: plastic or TPE

线材规格：PVC、FEP

Wire material: PVC, FEP

产品耐压：≥1500V/AC

Withstand voltage: ≥1500V/AC

使用温度：-40 ~ +105℃/ +150℃

Operating temperature: -40~+105℃/+150℃

产品特点 Characteristics

装配方式简单、牢固

Easy assembly, stable

阻值、B值可依客户需求制定

Resistance, B-value by user determine

五金件与线材可做定制

Metal part and wire by user determine



汽车空调温度传感器（二）

Auto air condition temperature sensor (二)



产品系列 Series

CWF 2

产品描述 Description

应用描述：测量空调温度变化
Application: test temperature variation of air condition

装配方式：Φ 径孔锁定或线束固定
Assembly: Φ diameter hole locking or wire fixing

性能参数 Techno-parameter

25℃零功率阻值精度：±1%
Zero Power Resistance tolerance at 25℃: ±1%

B值精度：±1%
B-value tolerance: ±1%

端头材质：TPE
Head material: TPE

线材规格：XLPE
Wire material: XLPE

产品耐压：≥1500V/AC
Withstand voltage: ≥1500V/AC

使用温度：-40 ~ +105℃
Operating temperature: -40 ~ +105℃

产品特点 Characteristics

产品防潮、防水性好
Moisture proof, waterproof

阻值、B值可依客户需求制定
Resistance, B-value by user determine



汽车空调温度传感器（三）

Auto air condition temperature sensor (三)



产品系列 Series

CWF1

产品描述 Description

应用描述：测量空调温度变化

Application: test temperature variation of air condition

装配方式：线束扎结固定

Assembly: fixed by thread

性能参数 Techno-parameter

25℃零功率阻值精度：±1%

Zero Power Resistance tolerance at 25℃: ±1%

B值精度：±1%

B-value tolerance: ±1%

端头材质：环氧树脂

Head material: epoxy resin

线材规格：PVC、FEP

Wire material: PVC、FEP

产品耐压：≥1500V/AC

Withstand voltage: ≥1500V/AC

使用温度：-40 ~ +105℃/ +150℃

Operating temperature: -40~+105℃/+150℃

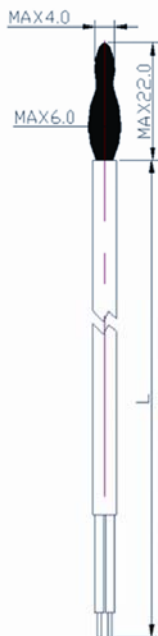
产品特点 Characteristics

温控反应速度快

Moisture proof , waterproof

防潮防水性好

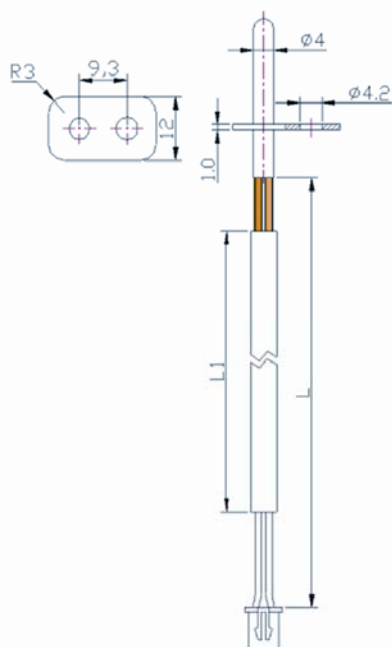
Fast response to temperature control





自动变速箱机油温度传感器（一）

Automatic transmission oil temperature sensor(一)



产品系列 Series

CWF5

产品描述 Description

应用描述：适用于变速箱内温控模块
Application: apply to temperature control module of transmission

装配方式：螺栓连接
Assembly:fixed by thread

性能参数 Techno-parameter

25℃零功率阻值精度：±1%
Zero Power Resistance tolerance at 25℃: ±1%

B值精度：±1%
B-value tolerance:±1%

端头材质：不锈钢壳
Head material: stainless cap

线材规格：FEP
Wire material: FEP

产品耐压：≥1500V/AC
Withstand voltage: ≥1500V/AC

使用温度：-40 ~ +125℃/+150℃
Operating temperature: -40~+125℃/+150℃

产品特点 Characteristics

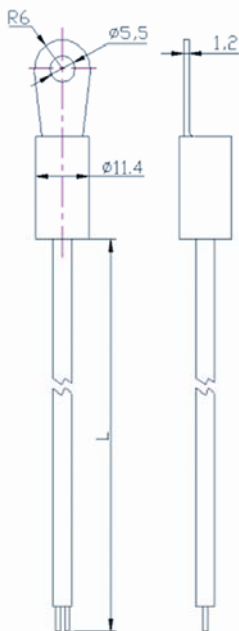
装配方式简单、牢固
Easily assemble、stable

阻值、B值可依客户需求制定
Resistance, B-value by user determine



自动变速箱油温度传感器（二）

Automatic transmission oil temperature sensor (二)



产品系列 Series

CWF 4

产品描述 Description

应用描述：适用于变速箱内温控模块

Application: apply to temperature control module of transmission

装配方式：螺栓连接

Assembly: fixed by thread

性能参数 Techno-parameter

25℃零功率阻值精度：±1%

Zero Power Resistance tolerance at 25℃: ±1%

B值精度：±1%

B-value tolerance: ±1%

端头材质：黄铜镀镍

Head material: Nickel plated brass

线材规格：FEP

Wire material: FEP

产品耐压：≥1500V/AC

Withstand voltage: ≥1500V/AC

使用温度：-40 ~ +105℃/ +150℃

Operating temperature: -40~+105℃/+150℃

产品特点 Characteristics

装配方式简单、牢固

Easily assemble, stable

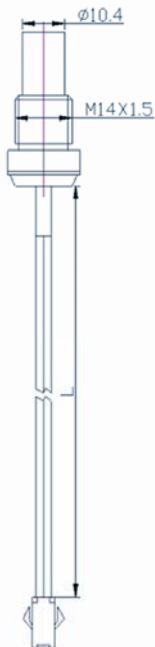
阻值、B值可依客户需求制定

Resistance, B-value by user determine

五金件与线材可做定制

Metal part and wire by user determine

-----> **水温传感器**
Water temperature sensor



产品系列 Series

CWF5

产品描述 Description

应用描述：测量水温箱温度变化
Application: test temperature change of water tank

装配方式：螺纹固定
Assembly: fixed by thread

性能参数 Techno-parameter

25℃零功率阻值精度：±1%
Zero Power Resistance tolerance at 25℃: ±1%

B值精度：±1%
B-value tolerance: ±1%

端头材质：黄铜
Head material: brass

线材规格：PVC、XLPE
Wire material: PVC, XLPE

产品耐压：≥1500V/AC
Withstand voltage: ≥1500V/AC

使用温度：-40 ~ +105℃/+125℃
Operating temperature: -40 ~ +105℃/+125℃

产品特点 Characteristics

装配方式简单、牢固
Easily assemble, stable

阻值、B值可依客户需求制定
Resistance, B-value by user determine

五金件与线材可做定制
Metal part and wire by user determine



高精度水温传感器

High precision water temperature sensor.



产品系列 Series

CWF 2

产品描述 Description

应用描述：用于水温箱内的温控模块
Application: apply to temperature control module of water tank

装配方式：使用硅胶套或锁铜环固定
Assembly: Silicone Case or Copper lock loop

性能参数 Techno-parameter

25℃零功率阻值精度：±1%
Zero Power Resistance tolerance at 25℃: ±1%

B值精度：±1%
B-value tolerance: ±1%

端头材质：不锈钢壳+黄铜环
Head material: stainless cap + brass metal ring

线材规格：PVC、FEP
Wire material: PVC, FEP

产品耐压：≥1500V/AC
Withstand voltage: ≥1500V/AC

使用温度：-40 ~ +105℃/+125℃
Operating temperature: -40 ~ +105℃/+125℃

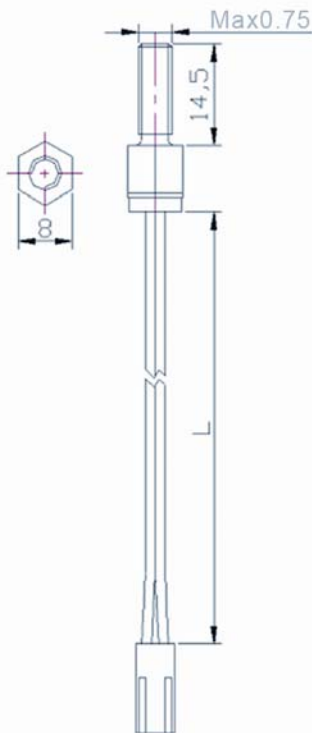
产品特点 Characteristics

高精度监测温度
High precision temperature monitoring

产品防潮、防水性好
Moisture proof, waterproof

阻值、B值可依客户需求制定
Resistance, B-value by user determine

➔ **车内测温传感器 (一)**
In-car temperature sensor (一)



产品系列 Series

CWF5

产品描述 Description

应用描述：用于汽车内温控模块
Application: apply to in-car temperature control module

装配方式：螺纹固定
Assembly: fixed by thread

性能参数 Techno-parameter

25°C 零功率阻值精度：±1%
Zero Power Resistance tolerance at 25°C: ±1%

B值精度：±1%
B-value tolerance: ±1%

端头材质：黄铜
Head material: brass

线材规格：PVC、XLPE
Wire material: PVC, XLPE

产品耐压：≥1500V/AC
Withstand voltage: ≥1500V/AC

使用温度：-40 ~ +105°C/+125°C
Operating temperature: -40 ~ +105°C/+125°C

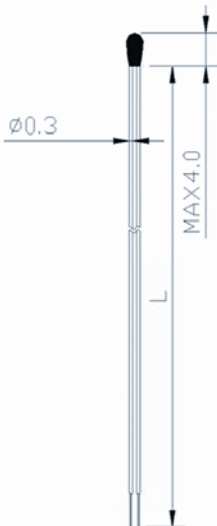
产品特点 Characteristics

装配方式简单、牢固
Easily assemble, stable

阻值、B值可依客户需求制定
Resistance, B-value by user determine

五金件与线材可做定制
Metal part and wire by user determine

-----> **车内测温传感器 (二)**
In-car temperature sensor (二)



产品系列 Series

MF52B

产品描述 Description

应用描述：用于汽车内温控模块

Application: apply to in-car temperature control module

装配方式：线夹或打胶固定

Assembly: Clamp or glue

性能参数 Techno-parameter

25℃零功率阻值精度：±1%

Zero Power Resistance tolerance at 25℃:±1%

B值精度：±1%

B-value tolerance: ±1%

端头材质：环氧树脂

Coating material: epoxy resin

线材规格：漆包线

Wire material: enameled cu wire

产品耐压：≥500V/AC

Withstand voltage: ≥500V/AC

使用温度：-40~+125℃/+150℃

Operating temperature:-40~+125℃/+150℃

产品特点 Characteristics

体积小、反应速度快

Small size and fast response

阻值、B值可依客户需求制定

resistance, B-value by user determine



蒸发器温度传感器

Evaporator temperature sensor



产品系列 Series

CWF5

产品描述 Description

应用描述：测量蒸发器温度变化

Application: test evaporator temperature

装配方式：Φ 径孔锁定或线束固定

Assembly: insert Φ hole and lock, or Fixed wiring harness

性能参数 Techno-parameter

25℃ 零功率阻值精度：±1%

Zero Power Resistance tolerance at 25℃: ±1%

B值精度：±1%

B-value tolerance: ±1%

端头材质：铝

Head material: aluminum

线材规格：PVC

Wire material: PVC

产品耐压：≥1500V/AC

Withstand voltage: ≥1500V/AC

使用温度：-40 ~ +80℃/+105℃

Operating temperature: -40~+80℃/+105℃

产品特点 Characteristics

温控反应速度快

Fast response to temperature control

产品防潮、防水性高

Moisture proof, waterproof

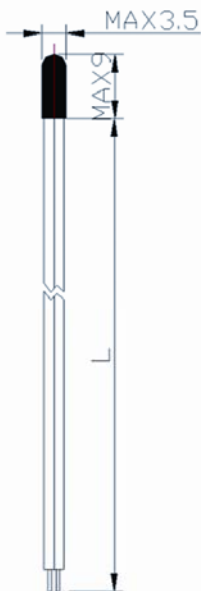
阻值、B值可依客户需求制定

Resistance, B-value by user determine



座垫加热温度传感器

Cushing heating temperature sensor



产品系列 Series

CWF 1

产品描述 Description

应用描述：测量坐垫温度变化

Application: test temperature variation of auto cushion

装配方式：线夹或打胶固定

Assembly: Clamp or glue

性能参数 Techno-parameter

25℃零功率阻值精度：±1%

Zero Power Resistance tolerance at 25℃:±1%

B值精度：±1%

B-value tolerance: ±1%

端头材质：环氧树脂

Coating material: epoxy resin

线材规格：PVC、FEP、XLPE

Wire material: PVC, FEP, XLPE

产品耐压：≥1500V/AC

Withstand voltage: ≥1500V/AC

使用温度：-40~+80/+105/+125℃

Operating temperature:-40~+80/+105/+125℃

产品特点 Characteristics

温控反应速度快

fast response to temperature control

阻值、B值可依客户需求制定

resistance, B-value by user determine

环氧头尺寸可定制

epoxy head dimension by user determine